

Instructions for wear checks of play equipment

The equipment must be checked for correct operation and safety, especially points listed below:

Proof of maintenance

Playground

Date of installation

Checks depend on the type of equipment. Any equipment with moving parts must be checked at least twice a year, static equipment at least once a year.

Intervals for maintenance work and checks generally depend on

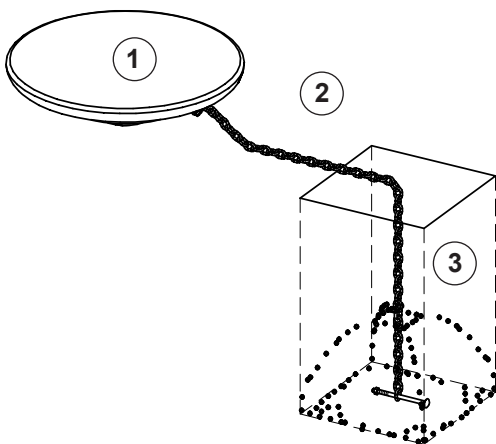
- location
- kind of use
- frequency of use
- possible vandalism

For more details see also "General instructions for maintenance of playgrounds".

Small Balancing Board
Order No. 10.71000

Small Balancing Disc
diameter 0.50 m
Order No. 10.71100

Small Balancing Disc
diameter 1.20 m
Order No. 10.71200



Wooden parts

1. Check for rot and, if necessary, smooth out splinters and round off sharp edges of cracks.

Chain

2. Check for wear.

Structural stability

3. Check anchoring of the chain to the ground.

Special notes, e.g. for repairs

Repair not carried out, it is still possible to play on equipment

Repair not carried out, equipment is taken out of action

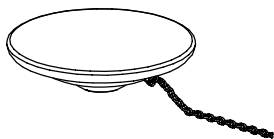
All work carried out, everything is in order

Maintenance carried out by:

For spare parts refer to back of page.

..... Date

Small Balancing Board
Order No. 10.71000/
10.71200



Please note that the safety standards of the equipment must not be affected. Therefore, when carrying out repairs it is helpful to **only use original parts.**

Order No.	Spare part
10.99948	laminated paper